

ROUND BOTTOM BAGS

SUITABLE ROUND BOTTOM BAGS (PE) FOR APL

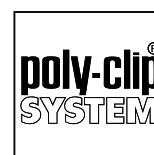
Product weight	Format				Film thickness
	Type	W	L	Lip	
850 g	1	155 mm	320 mm	50 mm	0,045 mm
900 g					
950 g					
1.000 g	2	160 mm	320 mm	50 mm	
1.050 g					
1.100 g					
1.200 g	3	175 mm	350 mm	50 mm	
1.300 g					
1.400 g					
1.500 g	4	185 mm	350 mm	50 mm	
1.600 g					
1.700 g					
1.800 g	5	195 mm	365 mm	50 mm	
1.900 g					
2.000 g					
2.100 g	6	205 mm	365 mm	50 mm	
2.200 g					
2.300 g					
2.400 g	7	220 mm	370 mm	50 mm	
2.400 g					

Bags on a wicket 200 pieces | Hole distance 80mm

SUITABLE ROUND BOTTOM BAGS (PE) FOR MPL

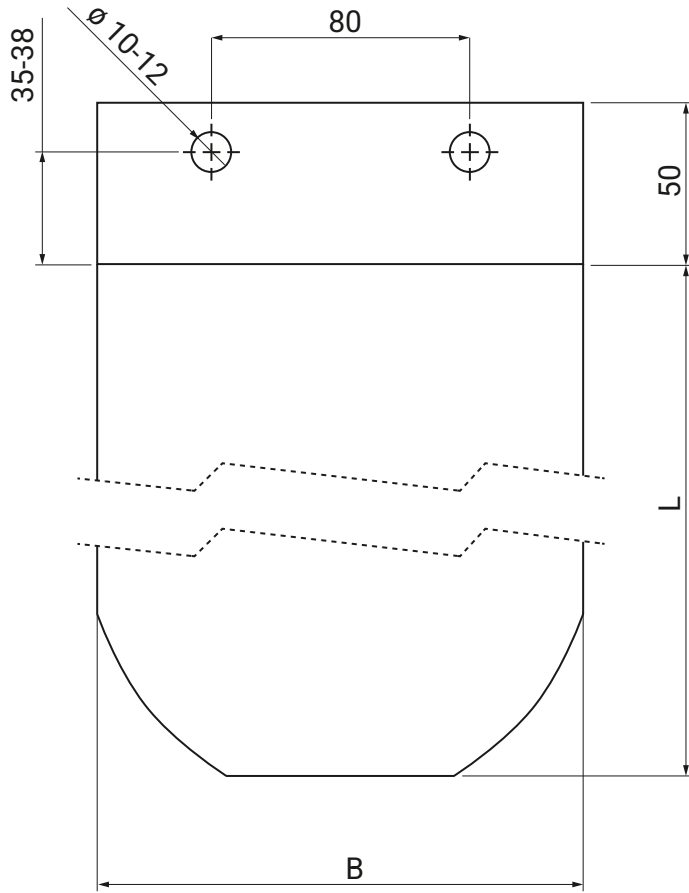
Product weight	Format				Film thickness
	Type	W	L	Lip	
850 g	1	170 mm	330 mm	50 mm	0,045 mm
900 g					
950 g					
1.000 g	2	180 mm	340 mm	50 mm	
1.050 g					
1.100 g					
1.200 g	3	195 mm	350 mm	50 mm	
1.300 g					
1.400 g					
1.500 g	4	205 mm	350 mm	50 mm	
1.600 g					
1.700 g					
1.800 g	5	220 mm	360 mm	50 mm	
1.900 g					
2.000 g					
2.100 g	6	220 mm	370 mm	50 mm	
2.200 g					
2.300 g					
2.400 g	7	235 mm	370 mm	50 mm	
2.400 g					

Bags on a wicket 200 pieces | Hole distance 80mm





ROUND BOTTOM BAGS



All data in millimeters